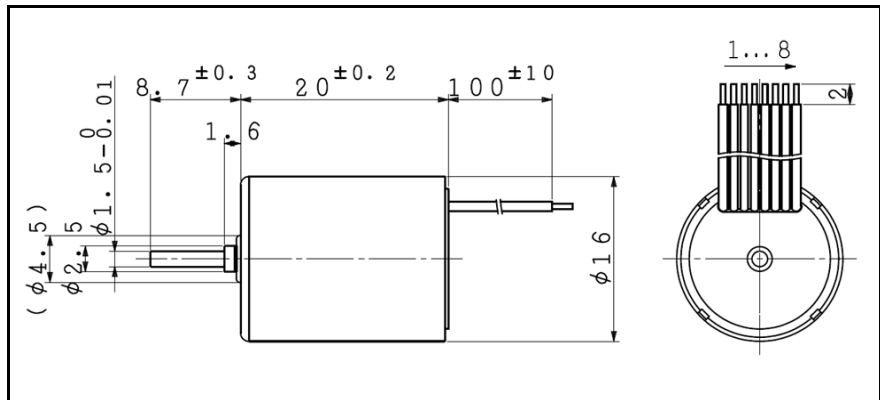
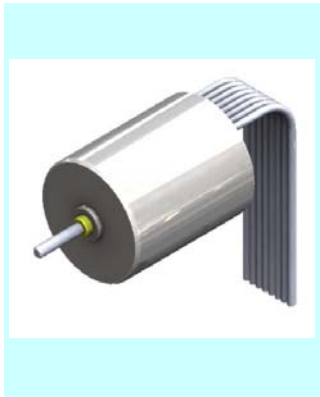


BMS 16-20

φ 16 , 1.90 mNm

with Hall sensors



For combination with gearhead: SSG15, SPG16

Dimension in mm

Ordering number	BMS16-2001	BMS16-2004	BMS16-2013	
1 Nominal voltage	7.4	12.0	24.0	V
2 Rated torque	2.04	1.93	1.96	mNm
3 Rated speed	19500	19600	21000	rpm
4 Rated current	739	441	238	mA
5 No load speed	22000	22200	23700	rpm
6 No load current	94	59	31	mA
7 Stall torque	18.04	16.43	16.77	mNm
8 Stall current	5.80	3.31	1.80	A
9 Output power	10.4	9.6	10.4	W
10 Max. efficiency	76	75	75	%
11 Terminal resistance	1.28	3.63	13.34	Ω
12 Friction torque	0.30	0.30	0.30	mNm
13 Back-EMF constant	0.331	0.530	0.994	mV/rpm
14 Torque constant	3.16	5.06	9.49	mNm/A
15 Slope of N-T curve	1218	1353	1415	rpm/mNm
16 Mechanical time constant	4.39	4.88	5.10	ms
17 Rotor inertia	0.34	0.34	0.34	gcm ²
18 Max. torque	9.02	8.22	8.39	mNm

Mechanical data			
19 Shaft radial play	0.015	mm	
20 Shaft axial play	0.23	mm	
21 Max. shaft radial load	0.27 (3.7 mm)	N	
22 Max. shaft axial load	0.1	N	
23 Max. shaft axial load at standstill	10	N	

Environmental specifications			
24 Operating temperature	-20 ~ 80	°C	
25 Max. coil temperature	90	°C	

Other specifications			
26 Weight	28	g	

Electrical connections			
#1	Lw	Motor winding W	
#2	Lv	Motor winding V	
#3	Lu	Motor winding U	
#4	Vdd	Input voltage 3.0V	
#5	Gnd	GND	
#6	Hw	Hall sensor output W	
#7	Hv	Hall sensor output V	
#8	Hu	Hall sensor output U	

*The characteristics are measured with our test driver.

