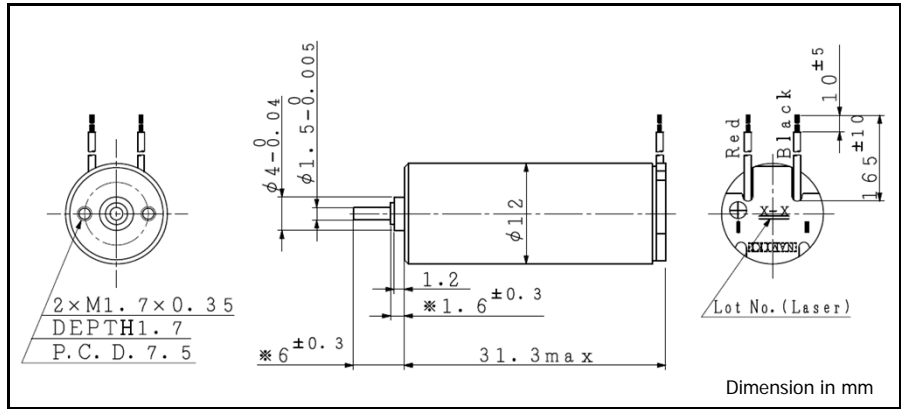
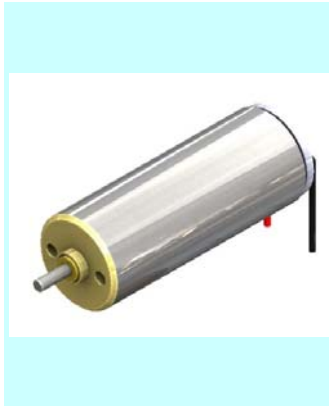


# CMS 12-30 $\phi 12$ , 0.80 mNm

Precious metal commutation, Sleeve bearing



For combination with gearhead: SSG12, SPG12

Ordering number	CMS12-3005	CMS12-3010	
1 Nominal voltage	7.4	12.0	V
2 Rated torque	0.824	0.867	mNm
3 Rated speed	11600	13500	rpm
4 Rated current	167	125	mA
5 No load speed	12800	14800	rpm
6 No load current	16	12	mA
7 Stall torque	8.66	9.52	mNm
8 Stall current	1.61	1.25	A
9 Output power	2.9	3.7	W
10 Max. efficiency	81	82	%
11 Terminal resistance	4.61	9.57	$\Omega$
12 Friction torque	0.09	0.09	mNm
13 Back-EMF constant	0.571	0.803	mV/rpm
14 Torque constant	5.45	7.67	mNm/A
15 Slope of N-T curve	1481	1555	rpm/mNm
16 Mechanical time constant	5.34	5.37	ms
17 Rotor inertia	0.34	0.33	gcm <sup>2</sup>
18 Max. torque	4.33	4.76	mNm

**Mechanical data**

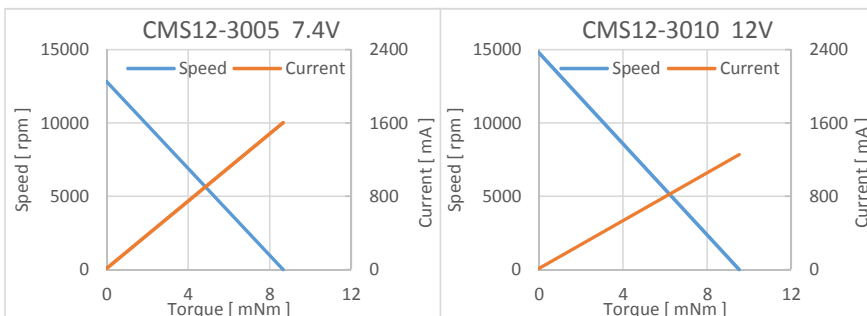
19 Shaft radial play	0.05	mm
20 Shaft axial play	0.03 ~ 0.2	mm
21 Max. shaft radial load	0.03 (5 mm)	N
22 Max. shaft axial load	0.1	N
23 Max. shaft axial load at standstill	4.9	N

**Environmental specifications**

24 Operating temperature	-20 ~ 60	$^{\circ}\text{C}$
25 Max. coil temperature	80	$^{\circ}\text{C}$

**Other specifications**

26 Weight	19.5	g
27 Number of segments	5	
28 Bearing type	Sintered sleeve	



V01

Adamant Namiki Precision Jewel Co.,Ltd

TEL: 03-5390-7620 FAX: 03-5390-8082

URL: www.ad-na.com/en/

E-mail: motor-sales@namiki.net

Specifications are subject to change without notice.