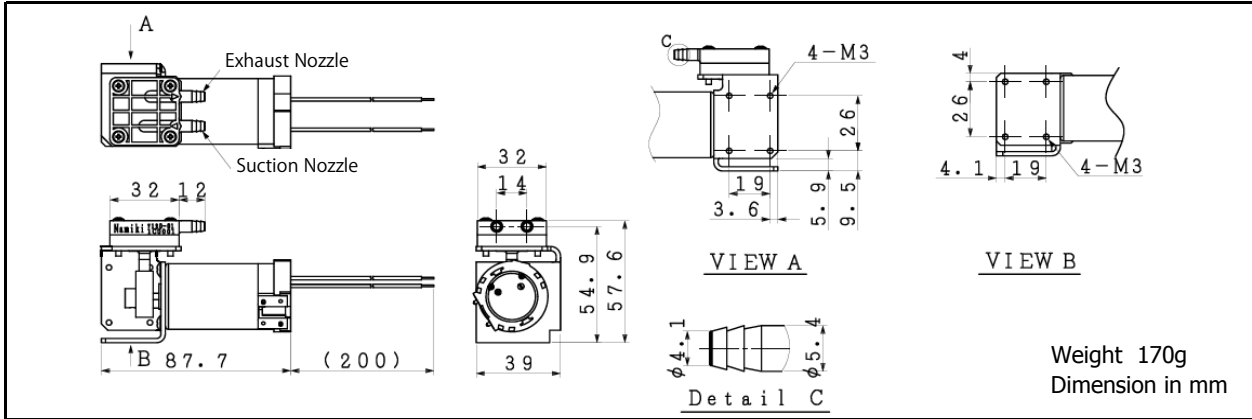
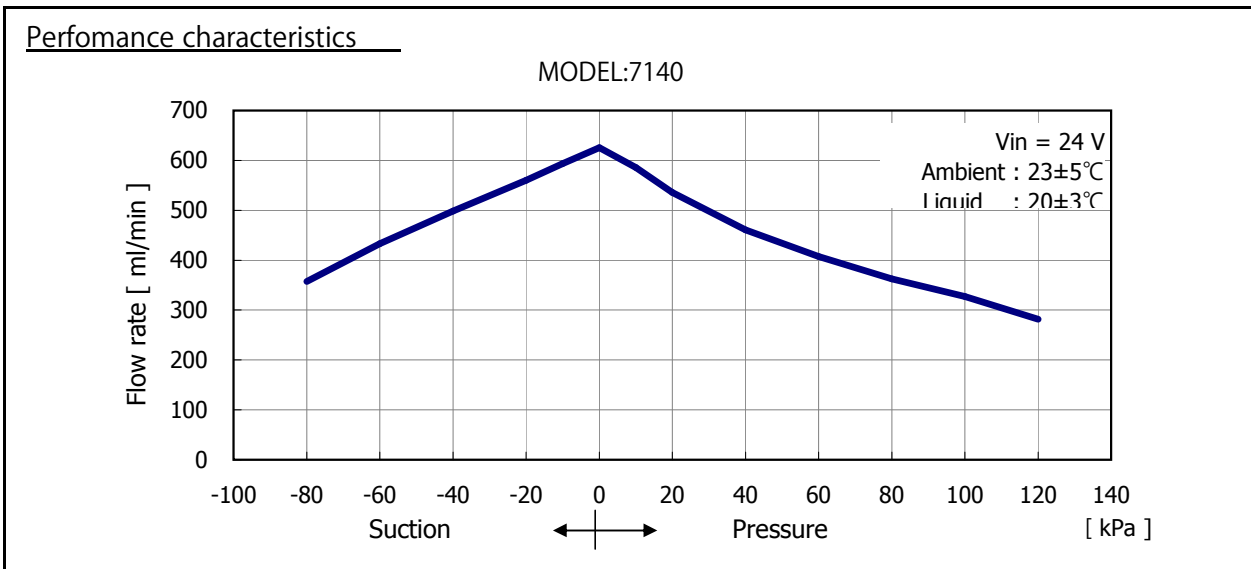


7140

Micro Diaphragm Liquid Pump



Ordering number	7140	
Nominal voltage	24	V
Motor type	DC Brush Motor	
Maximum flow rate	600	ml/min
Nominal current consumption	150	mA
Pressure range	0...+80	kPa
Suction range	-50...0	kPa



General Specifications

Ambient temperature range	+5...+60	°C
Fluid temperature	+10...+70	°C
Diaphragm	PTFE	
Valve	EPDM	
Other wetted materials	PPS	

Options:

Change of wetted material.		
Ordering number	7140	
Diaphragm	PTFE	
Valve	FFKM	

Conditions:

Data displayed in this datasheet are measured with purified water at 20°C using a Toalon-G tube of 4 mm internal (6 mm external) diameter and 160 cm length using Namiki standard test equipment.

※Please contact our sales division.

V01