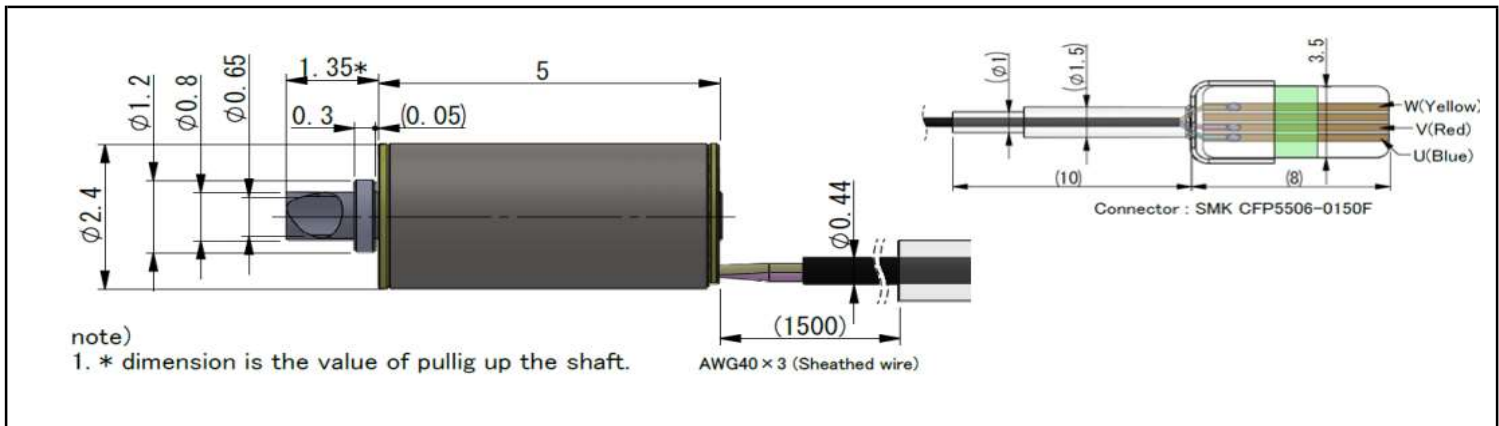


# DBL024-05XX

Electronically commutated sensorless motor, slotless stator design, Hollow shaft



| Specification            | DBL024-05XX  |            | Notes                                                     |
|--------------------------|--------------|------------|-----------------------------------------------------------|
| 1 Rated voltage          | 4.0 V        |            |                                                           |
| 2 Terminal resistance    | 89 $\Omega$  | $\pm 10\%$ | at (25°C $\pm$ 5°C) Including lead wire resistance*       |
| 3 Stall current          | 44 mA        | $\pm 10\%$ | Calculated value ( 1 / 2 )                                |
| 4 Back-EMF constant      | 0.024 mV/rpm | Min.       |                                                           |
| 5 Torque constant        | 0.23 mNm/A   | Min.       |                                                           |
| 6 Stall torque           | 0.010 mNm    | Min.       | Calculated value ( 3* 5 )                                 |
| 7 Operating Speed        | 100~6000 rpm |            | Drive Circuit ; SOD12ST                                   |
| 8 Total length           | 5.0 mm       |            |                                                           |
| 9 Direction of rotation  | CW/CCW       |            |                                                           |
| 10 Insulation resistance | OL           |            | Between Housing and Terminal<br>*lead wire length =1500mm |