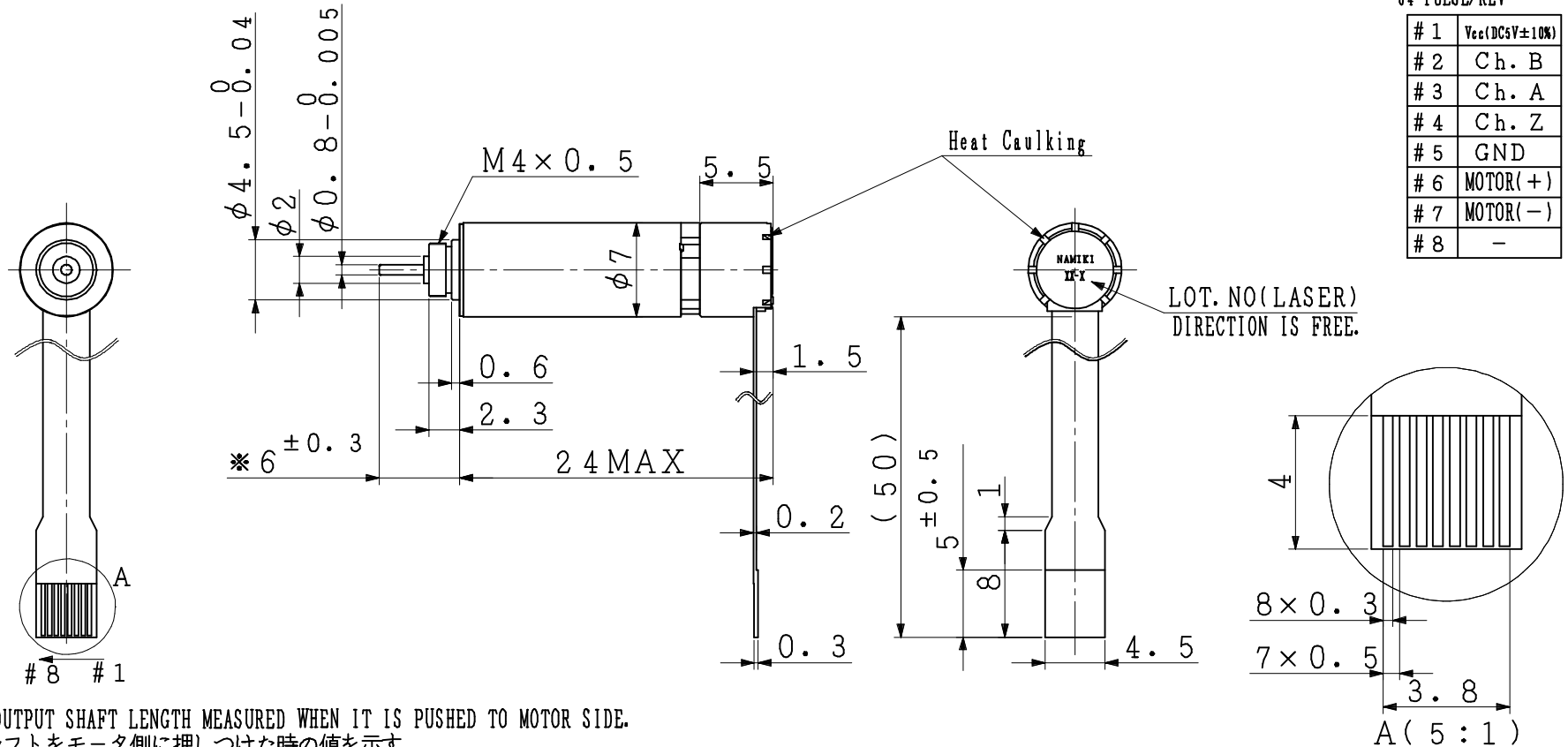


MAGNETIC ENCODER  
ELECTRICAL CONNECTIONS  
64 PULSE/REV

|     |               |
|-----|---------------|
| # 1 | Vcc(DC5V±10%) |
| # 2 | Ch. B         |
| # 3 | Ch. A         |
| # 4 | Ch. Z         |
| # 5 | GND           |
| # 6 | MOTOR(+)      |
| # 7 | MOTOR(-)      |
| # 8 | -             |



NOTE 1) MARKED(\*) IS OUTPUT SHAFT LENGTH MEASURED WHEN IT IS PUSHED TO MOTOR SIDE.

\*印寸法はシャフトをモータ側に押しつけた時の値を示す。

2) LOT NO.

EXAMPLE) JANUARY, 2018

↑ 18 = A ↓

JANUARY:A, FEBRUARY:B...DECEMBER:L

1月:A, 2月:B...12月:L

↑ - ↓ : MADE IN THAILAND

↑ - ↓ 有り : 海外工場生産

↑ - ↓ NONE : MADE IN JAPAN

↑ - ↓ 無し : 国内工場生産

THE END TWO DIGIT OF CHRISTIAN YEAR

西暦年数末尾数字2桁

3) OUTSIDE DIAMETER IS NOT APPLIED TO THE CAULKING.

外径寸法公差はカシメ部を除く。

| TOLERANCE     |        |           |           | △       | ×      |          |                 |      |      |       |
|---------------|--------|-----------|-----------|---------|--------|----------|-----------------|------|------|-------|
| DIMENSION (±) |        |           | ANGLE     | △       | ×      |          |                 |      |      |       |
|               | 0      | 1         | 2         | 3       | △      | ×        |                 |      |      |       |
| L ≤ 6         | 0.05   | 0.1       | 0.1       | 0.2     | △      | ×        |                 |      |      |       |
| 6 < L ≤ 30    | 0.1    | 0.1       | 0.2       | 0.5     | △      | ×        |                 |      |      |       |
| 30 < L ≤ 120  | 0.15   | 0.2       | 0.3       | 0.8     | △      | ×        |                 |      |      |       |
| 120 < L       | 0.2    | 0.3       | 0.5       | 1.2     | △      | ×        |                 |      |      |       |
|               |        |           |           | ±1°     | △      | ×        |                 |      |      |       |
| MATERIAL      | FINISH | QTY.      | SCALE     | 2/1     | TYPE   | CMS07-18 | NB              | DRW. | CHK. | APPD. |
|               |        |           |           | UNIT    | 1/1mm  | TITLE    | OUTLINE DRAWING |      |      |       |
| APPD.         | CHK.   | DSGN.     | DRW.      | DWG.NO. |        |          |                 |      |      |       |
|               |        | Demachi   | Demachi   | REF.NO. |        |          |                 |      |      |       |
|               |        | 27-Jan-18 | 27-Jan-18 | CHK.NO. | REMARK | Rev. 00  |                 |      |      |       |