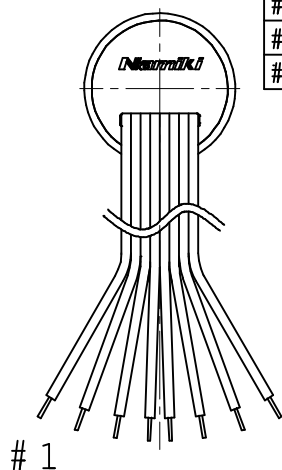
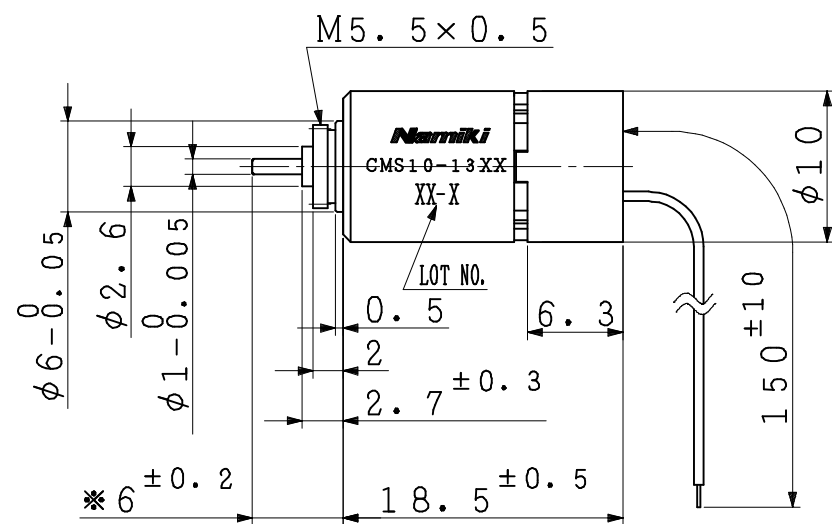
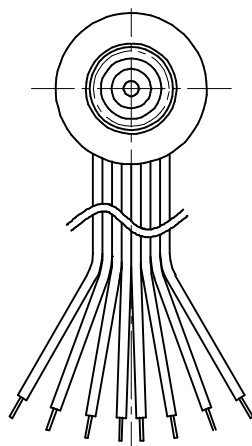


OPTICAL ENCODER
ELECTRICAL CONNECTIONS
PULSE/REV

| | |
|-----|---------------|
| # 1 | (MOTOR+) |
| # 2 | Vcc(DC5V±10%) |
| # 3 | Ch. A |
| # 4 | Ch. B |
| # 5 | Ch. Z |
| # 6 | GND |
| # 7 | (MOTOR-) |
| # 8 | NC |



NOTE 1) MARKED(*) IS SHAFT LENGTH MEASURED WHEN IT IS PUSHED TO MOTOR SIDE.

* 印寸法はシャフトをモータ側に押しつけた時の値を示す。

2) LOT NO.

EXAMPLE) JANUARY, 2018

「18-A」

JANUARY:A, FEBRUARY:B...DECEMBER:L
1月:A、2月:B...12月:L

「-」 :MADE IN THAILAND

「-」有り :海外工場生産

「-」NONE :MADE IN JAPAN

「-」無し :国内工場生産

THE END TWO DIGIT OF CHRISTIAN YEAR
西暦年数末尾数字2桁

3) THE LEAD WIRE IS AWG30 UL2734.

リード線はAWG30 UL2734を使用する。

4) OUTSIDE DIAMETER IS NOT APPLIED TO THE CAULKING.

外径寸法公差はカシメ部を除く。

| TOLERANCE | | | | △ | × | | | | |
|---------------|--------|-----------|-----------|---------|-------|-----------------|---------|--|--|
| DIMENSION (±) | | | | △ | × | | | | |
| | 0 | 1 | 2 | 3 | ANGLE | | | | |
| L≤6 | 0.05 | 0.1 | 0.1 | 0.2 | ±1° | △ | × | | |
| 6<L≤30 | 0.1 | 0.1 | 0.2 | 0.5 | | △ | × | | |
| 30<L≤120 | 0.15 | 0.2 | 0.3 | 0.8 | | △ | × | | |
| 120<L | 0.2 | 0.3 | 0.5 | 1.2 | | △ | × | | |
| MATERIAL | FINISH | QTY. | SCALE | 2/1 | TYPE | CMS10-13 | 0 | | |
| | | | UNIT | 1/1mm | TITLE | OUTLINE DRAWING | | | |
| APPD. | CHK. | DSGN. | DRW. | DWG.NO. | | | | | |
| | | Demachi | Demachi | REF.NO. | | | | | |
| | | 27-Jan-18 | 27-Jan-18 | CHK.NO. | | REMARK | Rev. 00 | | |