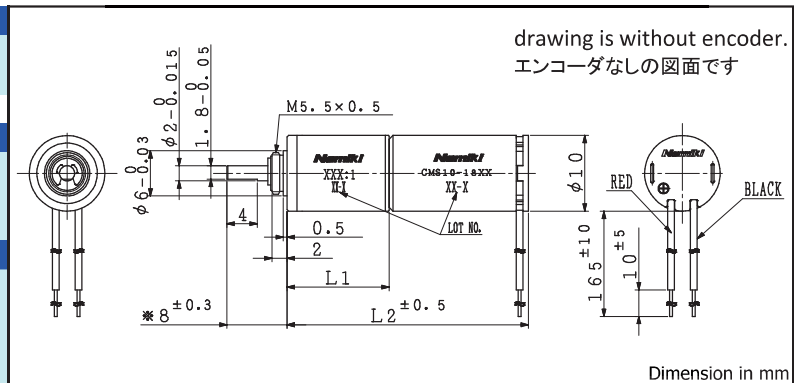


CMS10-18XX with Planetary gear (CMS10-18XX + 遊星ギヤ組合わせ仕様)

Gearhead (ギヤヘッド)
SPG10

Coreless motor (コアレスモーター)
CMS10-1805
CMS10-1818
CMS10-1834

Encoder (エンコーダ)
ETD10-2C
ETD10-2D
ETD10-2E



General specifications (一般仕様)

| | Gear Ratio (ギヤ比) | | | | | | | | |
|---|------------------|----------|-----------|-----------|-----------|------------|------------|------------|-----|
| | 3.6 | 4.7 | 13 | 22 | 61 | 105 | 288 | 494 | |
| 1 Reduction ratio(absolute value) 減速比(絶対値) | 3.60 : 1 | 4.70 : 1 | 12.96 : 1 | 22.22 : 1 | 61.10 : 1 | 104.77 : 1 | 288.03 : 1 | 493.93 : 1 | |
| 2 Number of stage 段数 | 1 | 1 | 2 | 2 | 3 | 3 | 4 | 4 | |
| 3 Efficiency 効率 | 85 | 85 | 72 | 72 | 61 | 61 | 52 | 52 | % |
| 4 Direction of rotation 回転方向 | = | = | = | = | = | = | = | = | |
| 5 Length (Motor + Gear=L2) 全長 (モーター+ギヤ=L2) | 28.9 | 28.9 | 31.9 | 31.9 | 34.9 | 34.9 | 38 | 38 | mm |
| 5 Length (Motor + Gear + Encoder) 全長 (モーター+ギヤ+エンコーダ) | 34.5 | 34.5 | 37.5 | 37.5 | 40.5 | 40.5 | 43.6 | 43.6 | mm |
| 5 Length (Motor + Encoder) 全長 (モーター+エンコーダ) | 24.0 | | | | | | | | mm |
| 6 Max allowable torque (Continuous) 最大許容 連続トルク | 50 | | | | | | | | mNm |
| 7 Max allowable torque (Intermittent) 最大許容 断続トルク | 100 | | | | | | | | mNm |

CMS10-1805P Rated voltage(定格電圧): 3.7 V

| Ordering number (組合わせ型名) | CMS10-1805P | 3.6 | 4.7 | 13 | 22 | 61 | 105 | 288 | 494 | |
|-----------------------------|-------------|------|------|------|-----|-----|-----|-----|-----|-----|
| 8 No load speed 無負荷回転数 | | 3170 | 2480 | 876 | 511 | 189 | 107 | 40 | 23 | rpm |
| 9 No load current 無負荷電流 | | 61 | 49 | 64 | 64 | 52 | 70 | 61 | 65 | mA |
| 10 Stall torque 起動トルク | | 5.4 | 7.2 | 16.5 | 28 | 67 | 112 | 266 | 454 | mNm |
| 11 Stall current 起動電流 | | 689 | 689 | 689 | 689 | 689 | 689 | 689 | 689 | mA |

CMS10-1818P Rated voltage(定格電圧): 7.4 V

| Ordering number (組合わせ型名) | CMS10-1818P | 3.6 | 4.7 | 13 | 22 | 61 | 105 | 288 | 494 | |
|-----------------------------|-------------|------|------|------|-----|-----|-----|-----|-----|-----|
| 8 No load speed 無負荷回転数 | | 3780 | 2960 | 1040 | 608 | 226 | 128 | 47 | 27 | rpm |
| 9 No load current 無負荷電流 | | 40 | 32 | 42 | 42 | 34 | 46 | 40 | 42 | mA |
| 10 Stall torque 起動トルク | | 5.4 | 7.2 | 16.5 | 28 | 68 | 112 | 267 | 455 | mNm |
| 11 Stall current 起動電流 | | 418 | 418 | 418 | 418 | 418 | 418 | 418 | 418 | mA |

CMS10-1834P Rated voltage(定格電圧): 12 V

| Ordering number (組合わせ型名) | CMS10-1834P | 3.6 | 4.7 | 13 | 22 | 61 | 105 | 288 | 494 | |
|-----------------------------|-------------|------|------|------|-----|-----|-----|-----|-----|-----|
| 8 No load speed 無負荷回転数 | | 4640 | 3630 | 1280 | 747 | 278 | 157 | 58 | 34 | rpm |
| 9 No load current 無負荷電流 | | 33 | 27 | 35 | 35 | 28 | 39 | 33 | 35 | mA |
| 10 Stall torque 起動トルク | | 6.1 | 8.2 | 19 | 32 | 77 | 127 | 302 | 516 | mNm |
| 11 Stall current 起動電流 | | 357 | 357 | 357 | 357 | 357 | 357 | 357 | 357 | mA |

HOW TO ORDER (ご注文の際の型式名)

CMS10-1805 MOTOR + SPG10(3.6:1) → CMS10-1805P3.6
CMS10-1834 MOTOR + SPG10(105:1) → CMS10-1834P105

Specifications are subject to change without notice.

仕様はやむなく変更する場合があります。

Adamant Namiki Precision Jewel Co., Ltd.

アダマント並木精密宝石株式会社

3-8-22 Shinden, Adachi-ku, Tokyo 123-8511 Japan

〒123-8511 東京都足立区新田3-8-22

TEL: +81-3-5390-7620

TEL: 03-5390-7620

URL: www.ad-na.com/en/ E-mail: motor-sales@namiki.net

URL: www.ad-na.com/ E-mail: motor-salesjp@namiki.net